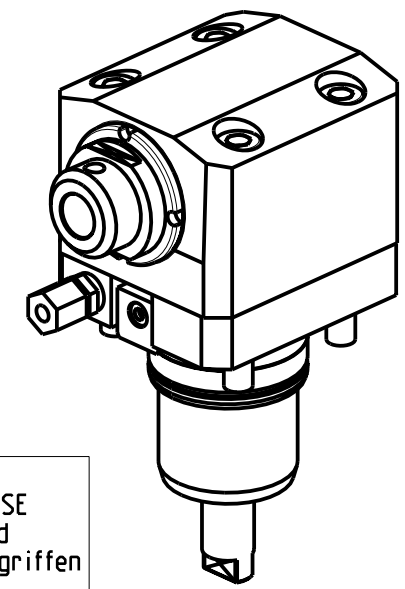


**ATTENZIONE - ATTENTION - ACHTUNG**

- Per lo smontaggio degli utensili utilizzare sempre la chiave di contrasto come indicato nel manuale d'uso.
- For disassembly of the tools use always the contrast key as mentioned in the user instructions.
- Fuer das Abmontieren der Werkzeuge immer den Gegenschlüssel benutzen wie in der Bedienungsanleitung erwäehnt.



Cod. MT	Mandrino Spindle Spindel	I (n1:n2)	RPM max n2	Coppia Max Max Torque Max Drehmoment M2 (Nm)	Reversibile 180° 180° Reversible 180° umsetzbar	Lubrificazione est. Ext. coolant Aussenkuehlung	Lav. secco Dry-run Trocken Bearb.	A	A1	D	D1	CHIAVI NON INCLUSE Keys not included Schluessel nicht einbegriffen	
												CHUB36	CHSTER25
NKM0039125	ER25	1:1	6000	50	X	X	X	-	80.44	-	-	CHUB36	CHSTER25
NKM0039108	WELDON 8	1:1	6000	50	X	X	X	76.5	-	8	29	-	-
NKM0039110	WELDON 10	1:1	6000	50	X	X	X	76.5	-	10	29	-	-
NKM0039112	WELDON 12	1:1	6000	50	X	X	X	76.5	-	12	29	-	-
NKM0039116	WELDON 16	1:1	6000	50	X	X	X	73.7	-	16	32	-	-

CMZ  
 MOD: TX52 Y3/Y2 QUATTRO/Y2 TW IN - TX66 Y3/Y2 QUATTRO/Y2 TW IN - TTL 52 - TTL 66  
 TA15-20-25-30M/Y/MS/MY/YS 15 ST.

MODULO MOTORIZZATO ASSIALE PER POLIGONATURA INTERNA H=55mm  
 Axial driven tool for internal polygon-making H=55mm  
 Axial angetriebenes Werkzeug fuer interne Facettierung H=55mm

**M.T. srl**  
 Via Casino Albini 480  
 Tel. 0541/956034-957884  
 Fax 0541/956341  
 47842 S. GIOVANNI IN M. (RN)  
 e-mail: mtma@mtmarchetti.com  
 http://www.mtmarchetti.com



CMZ230-3-10

Subject to change without notice.

09/2025