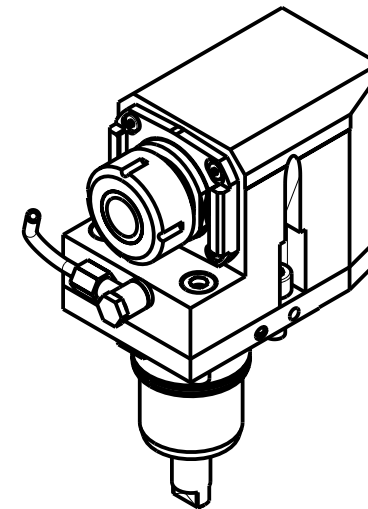
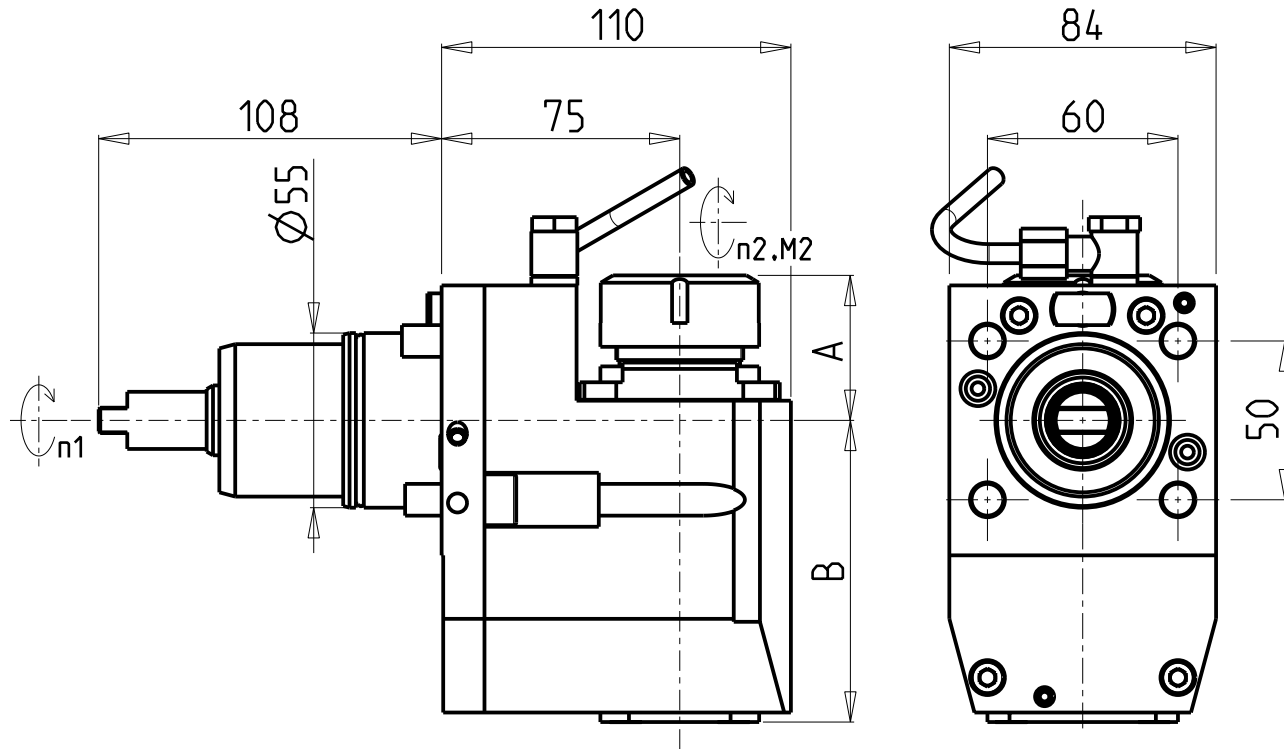


ATTENZIONE - ATTENTION - ACHTUNG

- VERIFICARE LE MISURE DI INGOMBRO PER POSSIBILE INTERFERENZA SU ALCUNI MODELLI DI MACCHINE
- Please check the overall sizes for possible interferences on some machine models
- Bitte überprüfen sie das ausmass um mögliche interferenzen auf einigen maschinen modellen zu vermeiden



Cod. MT	Mandrino Spindle Spindel	I (n1:n2)	RPM max n2	Coppia Max Max Torque Max Drehmoment M2 (Nm)	Reversibile 180° 180° Reversible 180° umsetzbar	Lubrificazione int. Coolant through Innenkuehlung Pmax (bar)	Lubrificazione est. Ext. coolant Aussenkuehlung	Lav. secco Dry-run Trocken Bearb.	A	B	CHIAVI NON INCLUSE Keys not included Schlüssel nicht einbegriffen	
NKM1080125	ER25	1:1	6000	50	X	-	X	X	42.7	95	MNZ0410005	CHSTER25
NKM1080225	ER25	1:1	6000	50	X	70	X	-	42.7	108.5	MNZ0410005	CHSTER25
NKM1080132	ER32	1:1	6000	50	X	-	X	X	45.7	95	MNZ0410005	CHSTER32
NKM1080232	ER32	1:1	6000	50	X	100 (diag. 2)	X	X	45.7	108.5	MNZ0410005	CHSTER32

- Chiave inclusa
- Key included
- Schlüssel inbegriffen

CMZ
 MOD: TX52 Y3/Y2 QUATTRO/Y2 TWIN - TX66 Y3/Y2 QUATTRO/Y2 TWIN - TTL 52 - TTL 66
 TA15-20-25-30M/Y/MS/MY/YS 15 ST.

MODULO MOTORIZZATO ASSIALE ARRETRATO H=75mm
 Axial rear-set driven tool H=75mm
 Axial angetriebenes Werkzeug zurueckversetzt H=75mm

M.T. srl
 Via Casino Albini 480
 Tel. 0541/956034-957884
 Fax 0541/956341
 47842 S. GIOVANNI IN M. (RN)
 e-mail: mtma@mtmarchetti.com
 http://www.mtmarchetti.com



CMZ180-3-10

Subject to change without notice.

09/2025