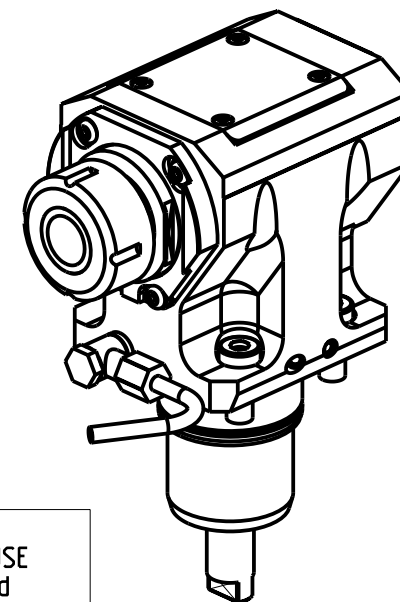


ATTENZIONE - ATTENTION - ACHTUNG

- VERIFICARE LE MISURE DI INGOMBRO PER POSSIBILE INTERFERENZA SU ALCUNI MODELLI DI MACCHINE
- Please check the overall sizes for possible interferences on some machine models
- Bitte überprüfen sie das ausmass um mögliche interferenzen auf einigen maschinen modellen zu vermeiden



- Chiave inclusa
- Key included
- Schluessel inbegriffen

Cod. MT	Mandrino Spindle Spindel	I (n1:n2)	RPM max n2	Coppia Max Max Torque Max Drehmoment M2 (Nm)	Reversibile 180° 180° Reversible 180° umsetzbar	Lubrificazione int. Coolant through Innenkuehlung Pmax (bar)	Lubr. esterna Ext. coolant Aussenkuehlung	Lav. secco Dry-run Trocken Bearb.	A	B	CHIAVI NON INCLUSE Keys not included Schluessel nicht einbegriffen
NKM1390132	ER32	1:1	6000	50	X	-	X	X	88.7	56.5	CHSTER32 OKU0650004
NKM1390140	ER40	1:1	6000	50	X	-	X	X	99.2	56.5	CHSTER40 OKU0650004
NKM1390232	ER32	1:1	6000	50	X	100 (diag. 2)	X	X	88.7	67.5	CHSTER32 OKU0650004
NKM1390240	ER40	1:1	6000	50	X	100 (diag. 2)	X	X	99.2	67.5	CHSTER40 OKU0650004

CMZ

MOD: TX52 Y3/Y2 QUATTRO/Y2 TW IN - TX66 Y3/Y2 QUATTRO/Y2 TW IN - TTL 52 - TTL 66
TA15-20-25-30M/Y/MS/MY/YS 15 ST.

MODULO MOTORIZZATO ASSIALE H=75mm

Axial driven tool H=75mm

Axial angetriebenes Werkzeug H=75mm

Subject to change without notice.

M.T. srl

Via Casino Albini 480
Tel. 0541/956034-957884
Fax 0541/956341
47842 S. GIOVANNI IN M. (RN)
e-mail: mtma@mtmarchetti.com
http://www.mtmarchetti.com



CMZ150-3-21

09/2025