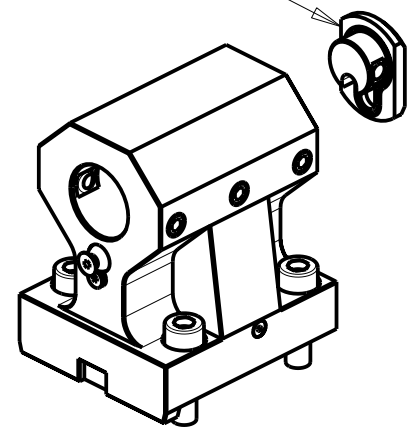


KIT ADDUZIONE INTERNA (OPZIONALE)
 KIT FOR INTERNAL COOLANT (OPTIONAL)
 KIT FUER INTERNE KUEHLMITTELZUFUHR (OPTIONAL)

Ø32 cod. KIT1000007
 Ø40 cod. KIT1000008
 Ø1 1/4" cod. KIT1000010
 Ø1 1/2" cod. KIT1000011



PER BOCCOLE DI RIDUZIONE VEDI PAG. TBL150-1-00
 FOR REDUCING BUSHINGS SEE PAGE TBL150-1-00
 FUR REDUZIERBUCHSE SIEHE SEITE TBL150-1-00

Cod. MT	Cod. BIGLIA	N°Utensili N°Tools N°Werkzeuge	Reversibile lato mandrino/contromandrino Reversible sub/main spindle side Umkehrbare Spindelseite/ Gegenspindelseite	Lubrificazione int. opzionale Coolant through optional Innenkuehlung Optional	Lubrificazione est. Ext. coolant Aussenkuehlung	Misure Dimensions Masse	D
0523200	10.57.75.00	1	X	X	X	mm	32
0524000	D40.10.57.75.00	1	X	X	X	mm	40
0523175	10.57.84.00	1	X	X	X	Inch	1 1/4"
0523810	-	1	X	X	X	Inch	1 1/2"

BIGLIA
 MOD: B301/445/470/501(Y-S)/510/620/650/658/1200 - B750/1250 16 ST. - BMX 51/70Y2 15ST.
 PORTAUTENSILE ASSIALE PER BARENO Ø32mm/Ø40mm/Ø1 1/4"/Ø1 1/2" H=80mm
 Axial single boring bar holder Ø32mm/Ø40mm/Ø1 1/4"/Ø1 1/2" H=80mm
 Axial Bohrhalter Ø32mm/Ø40mm/Ø1 1/4"/Ø1 1/2" H=80mm

M.T. srl
 Via Casino Albini 480
 Tel. 0541/956034-957884
 Fax 0541/956341
 47842 S. GIOVANNI IN M. (RN)
 e-mail: mtma@mtmarchetti.com
 http://www.mtmarchetti.com



BGL630-1-10

Subject to change without notice.