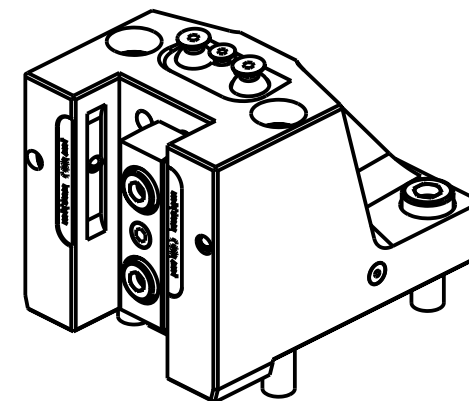
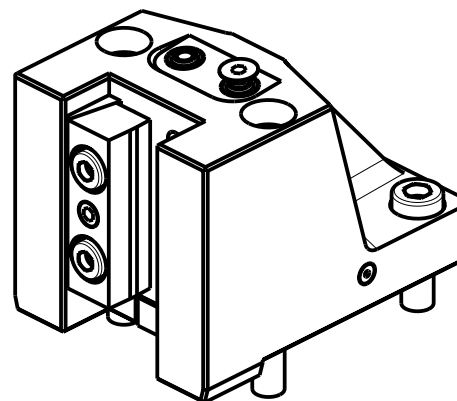


0532010



Cod. MT	Cod. BIGLIA	N°Utensili N°Tools N°Werkzeuge	Reversibile lato mandrino/contromandrino Reversible sub/main spindle side Umkehrbare Spindel-seite/ Gegenspindel-seite	Lubrificazione int. Coolant through Innenkuehlung Pmax (bar)	Lubrificazione est. Ext. coolant Aussenkuehlung	Misure Dimensions Masse	B	H
0532000	10.57.60.00	1	X	-	X	mm	20	20
0531905	10.57.82.00	1	X	-	X	Inch	3/4"	3/4"
0532010	-	1	X	70	X	mm	20	20

BIGLIA
 MOD: B301/445/470/501(Y-S)/510/545/550/565/620/650/658/1200/446/465/745/765 - B750/1250 16 ST. - BMX 51/70Y2 15ST.

PORTAUTENSILE RADIALE SINGOLO QD=20mm / QD=3/4"
 Radial single static tool QD=20mm / QD=3/4"
 Radial Single-Werkzeughalter QD=20mm / QD=3/4"

M.T. srl
 Via Casino Albini 480
 Tel. 0541/956034-957884
 Fax 0541/956341
 47842 S. GIOVANNI IN M. (RN)
 e-mail: mtma@mtmarchetti.com
 http://www.mtmarchetti.com



BGL420-1-00

Subject to change without notice.

09/2025