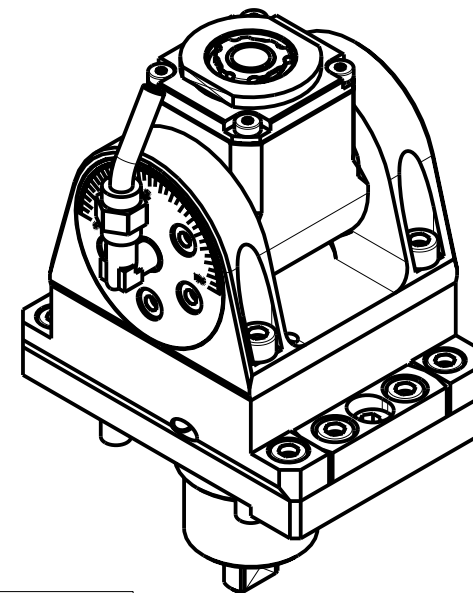


ATTENZIONE - ATTENTION - ACHTUNG

- VERIFICARE LE MISURE DI INGOMBRO PER POSSIBILE INTERFERENZA
- Please check the overall sizes for possible interferences
- Bitte überprüfen sie das Ausmass um mögliche Interferenzen zu vermeiden



Cod. MT	Mandrino Spindle Spindel	I (n1:n2)	RPM max n2	Coppia Max Max Torque Max Drehmoment M2 (Nm)	Reversibile 180° 180° Reversible 180° umsetzbar	Lubrificazione int. Coolant through Innenkuehlung Pmax (bar)	Lubr.esterna Ext. coolant Aussenkuehlung	Lav. secco Dry-run Trocken Bearb.	CHIAVI INCLUSE Keys included Schlüssel inbegriffen			
									CHUB19_SP3	CHUB32	CHESL05	CHTAER16ZC
BGL1101120	ER A 16	1:1	6000	20	X	-	X	X	CHUB19_SP3	CHUB32	CHESL05	CHTAER16ZC
BGL1101220	ER A 16	1:1	6000	20	X	70	X	-	CHUB19_SP3	CHUB32	CHESL05	CHTAER16ZC

BIGLIA
MOD: B436/438 - BMX 45Y2

MODULO MOTORIZZATO ORIENTABILE ±90° H=65mm
±90° adjustable angle driven tool H=65mm
Angetriebenes Werkzeug schwenkbar ±90° H=65mm

Subject to change without notice.

M.T. srl

Via Casino Albini 480
Tel. 0541/956034-957884
Fax 0541/956341
47842 S. GIOVANNI IN M. (RN)
e-mail: mtma@mtmarchetti.com
http://www.mtmarchetti.com



BGL335-2-10