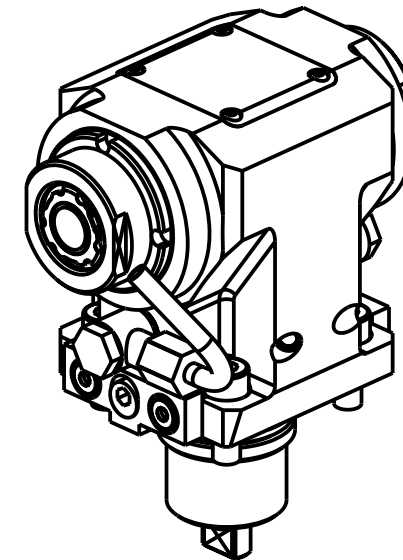
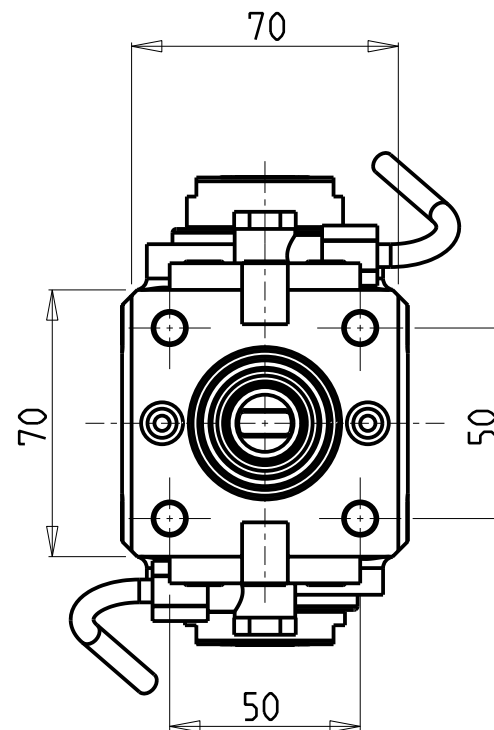
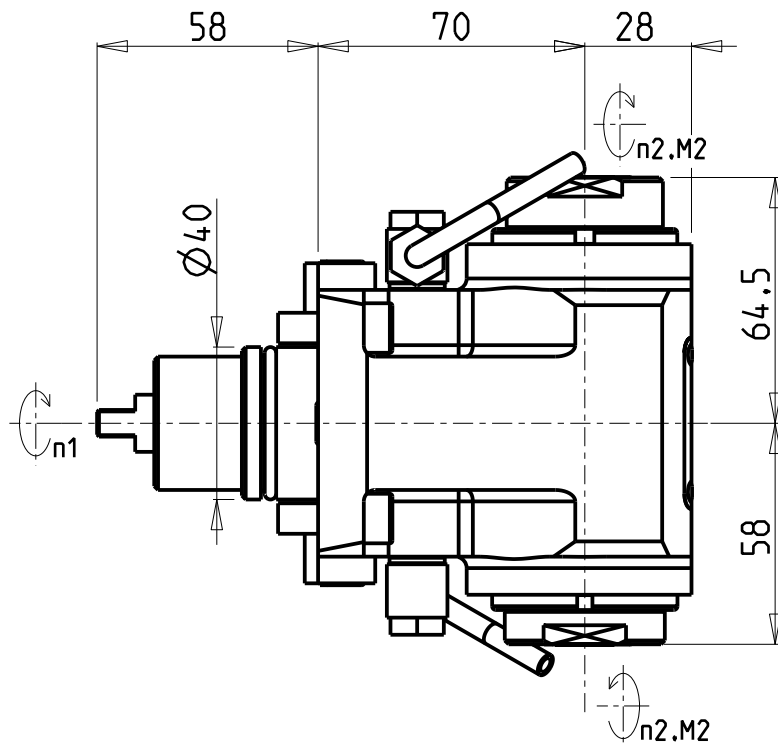


**ATTENZIONE - ATTENTION - ACHTUNG**

- Per lo smontaggio degli utensili utilizzare sempre la chiave di contrasto come indicato nel manuale d'uso.
- For disassembly of the tools use always the contrast key as mentioned in the user instructions.
- Fuer das Abmontieren der Werkzeuge immer den Gegenschlüssel benutzen wie in der Bedienungsanleitung erwaeht.




Cod. MT	Mandrino Spindle Spindel	I (n1:n2)	RPM max n2	Coppia Max Max Torque Max Drehmoment M2 (Nm)	Reversibile 180° 180° Reversible 180° umsetzbar	Lubr.esterna Ext. coolant Aussenkuehlung	Lav. secco Dry-run Trocken Bearb.	CHIAVI NON INCLUSE Keys not included Schlüssel nicht einbegriffen		
BGL1352020	ERA20+ERA20	1:1	6000	30	X	X	X	CHUB22	CHUB36	CHTAER20ZC *

- Chiave inclusa
- Key included
- Schlüssel inbegriffen

**BIGLIA**  
 MOD: B436/438 - BMX 45Y2  
 MODULO MOTORIZZATO ASSIALE BISPORGENTE H=70mm  
 Axial opposite face twin driven tool H=70mm  
 Axial angetriebenes Werkzeug halb vorspringend H=70mm

**M.T. srl**  
 Via Casino Albini 480  
 Tel. 0541/956034-957884  
 Fax 0541/956341  
 47842 S. GIOVANNI IN M. (RN)  
 e-mail: mtma@mtmarchetti.com  
 http://www.mtmarchetti.com



**BGL240-2-10**

Subject to change without notice.