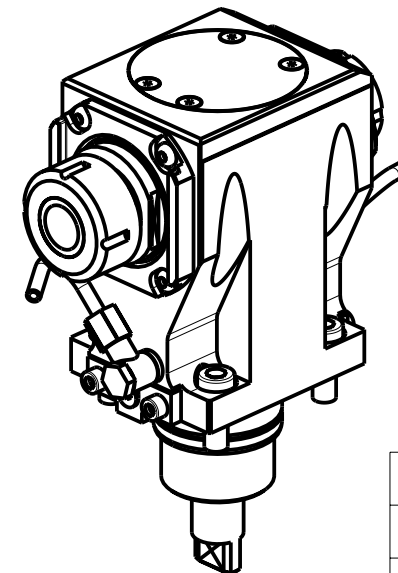


ATTENZIONE - ATTENTION - ACHTUNG

- Per lo smontaggio degli utensili utilizzare sempre la chiave di contrasto come indicato nel manuale d'uso.
- For disassembly of the tools use always the contrast key as mentioned in the user instructions.
- Fuer das Abmontieren der Werkzeuge immer den Gegenschlüssel benutzen wie in der Bedienungsanleitung erwaeht.



- Chiave inclusa
- Key included
- Schlüssel inbegriffen

Cod. MT	Mandrino Spindle Spindel	I (n1:n2)	RPM max n2	Coppia Max Max Torque Max Drehmoment M2 (Nm)	Reversibile 180° 180° Reversible 180° umsetzbar	Lubr.esterna Ext. coolant Aussenkuehlung	Lav. secco Dry-run Trocken Bearb.	A	B	CHIAVI NON INCLUSE Keys not included Schlüssel nicht einbegriffen							
										CHSTER32	CHSTER25	OKU0650004	-	-			
BGL0223225	ER32+ER25	1:1	6000	50	X	X	X	93.66	80.16	CHSTER32	CHSTER25	OKU0650004	•	-	-		
BGL0222520	ERA25+ERA20	1:1	6000	50	X	X	X	65	55.5	CHUB22	CHUB27	OKU0650004	•	CHTAER20ZC	•	CHTAER25ZC	•

BIGLIA
 MOD: B445/470/545/550/565/650/658/1200/446/465/745/765 - B750/1250 16 ST.

MODULO MOTORIZZATO ASSIALE BISPORGENTE H=100mm
 Axial opposite face twin driven tool H=100mm
 Axial angetriebenes Werkzeug halb vorspringend H=100mm

Subject to change without notice.

M.T. srl
 Via Casino Albini 480
 Tel. 0541/956034-957884
 Fax 0541/956341
 47842 S. GIOVANNI IN M. (RN)
 e-mail: mtma@mtmarchetti.com
 http://www.mtmarchetti.com



BGL240-1-21