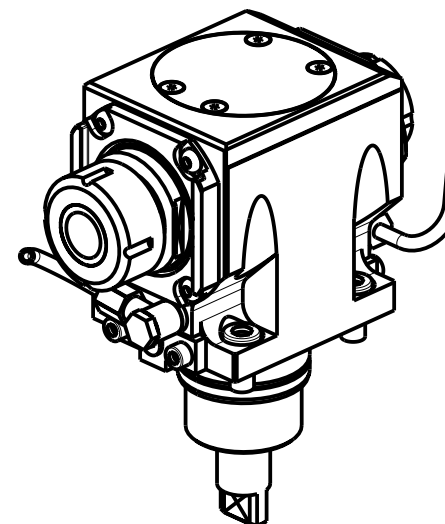
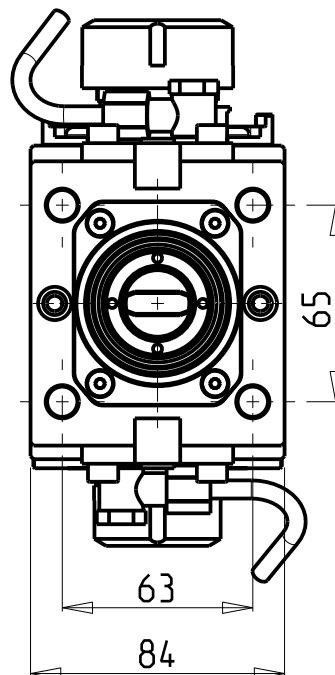
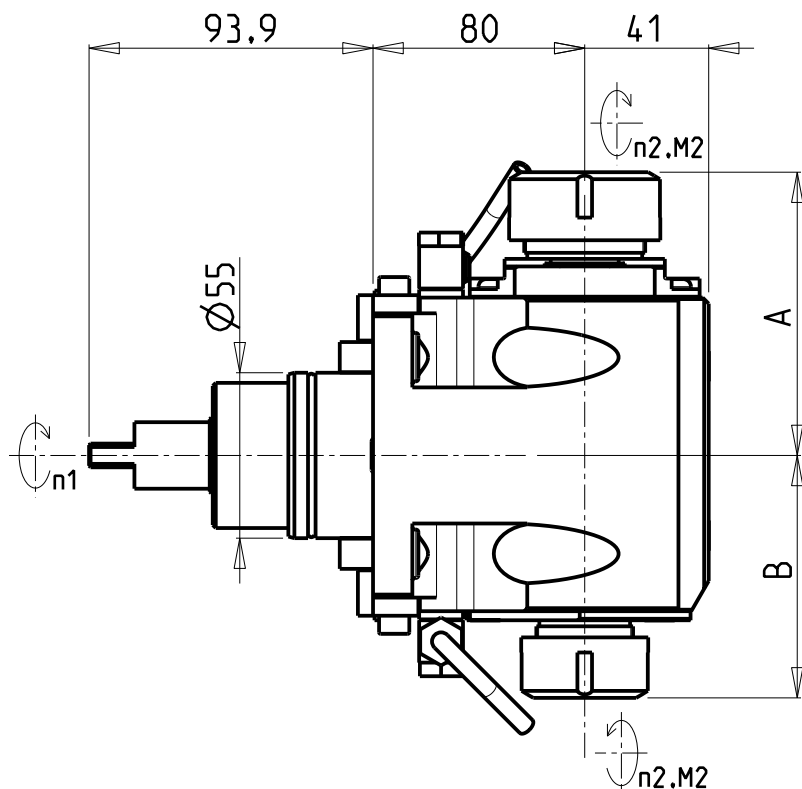


ATTENZIONE - ATTENTION - ACHTUNG

- Per lo smontaggio degli utensili utilizzare sempre la chiave di contrasto come indicato nel manuale d'uso.
- For disassembly of the tools use always the contrast key as mentioned in the user instructions.
- Fuer das Abmontieren der Werkzeuge immer den Gegenschlüssel benutzen wie in der Bedienungsanleitung erwaeht.



- Chiave inclusa
- Key included
- Schlüssel inbegriffen

CHIAVI NON INCLUSE
Keys not included
Schlüssel nicht einbegriffen

Cod. MT	Mandrino Spindle Spindel	I (n1:n2)	RPM max n2	Coppia Max Max Torque Max Drehmoment M2 (Nm)	Reversibile 180° 180° Reversible 180° umsetzbar	Lubr.esterna Ext. coolant Aussenkuehlung	Lav. secco Dry-run Trocken Bearb.	A	B						
BGL0663225	ER32+ER25	1:1	6000	50	X	X	X	93.66	80.16	CHSTER32	CHSTER25	OKU0650004	-	-	
BGL0662520	ERA25+ERA20	1:1	6000	50	X	X	X	65	55.5	CHUB22	CHUB27	OKU0650004	CHTAER20ZC	CHTAER25ZC	

BIGLIA
MOD: B301/445/470/501(Y-S)/510/620/650/658/1200 - BMX 51/70Y2 15ST.

MODULO MOTORIZZATO ASSIALE BISPORGENTE H=80mm
Axial opposite face twin driven tool H=80mm
Axial angetriebenes Werkzeug halb vorspringend H=80mm

Subject to change without notice.

M.T. srl
Via Casino Albini 480
Tel. 0541/956034-957884
Fax 0541/956341
47842 S. GIOVANNI IN M. (RN)
e-mail: mtma@mtmarchetti.com
http://www.mtmarchetti.com



BGL240-1-15