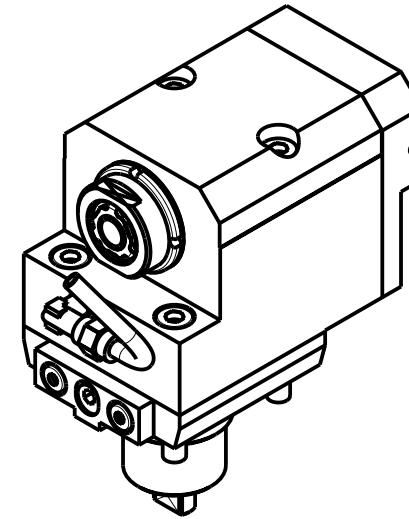
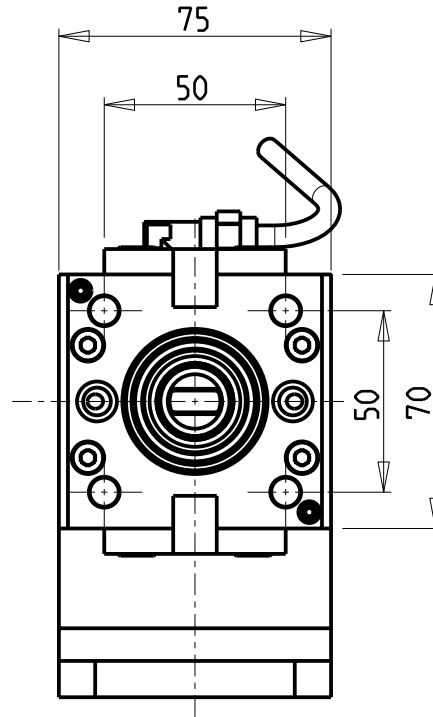
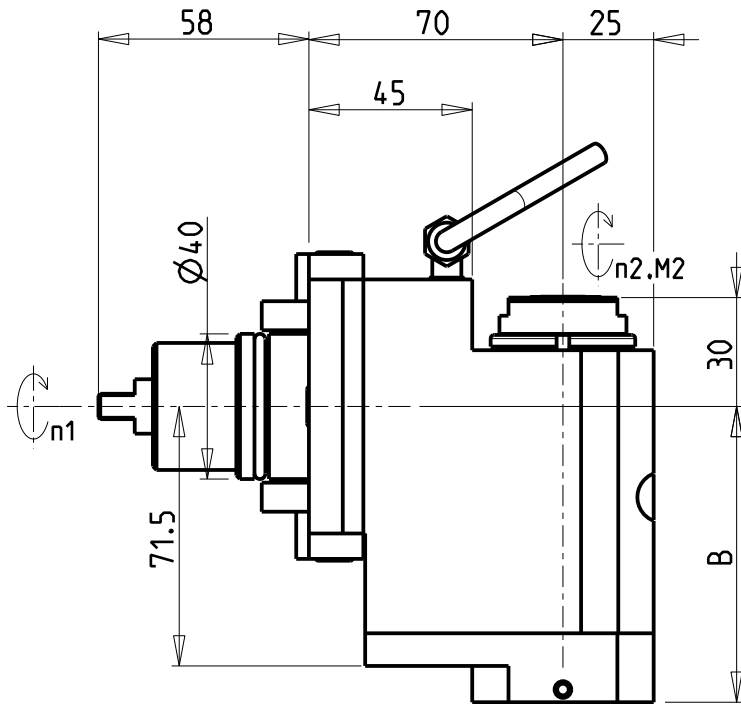


ATTENZIONE - ATTENTION - ACHTUNG

- VERIFICARE LE MISURE DI INGOMBRO PER POSSIBILE INTERFERENZA SU ALCUNI MODELLI DI MACCHINE
- Please check the overall sizes for possible interferences on some machine models
- Bitte überprüfen sie das ausmass um mögliche interferenzen auf einigen maschinen modellen zu vermeiden



Cod. MT	Mandrino Spindle Spindel	I (n1:n2)	RPM max n2	Coppia Max Max Torque Max Drehmoment M2 (Nm)	Reversibile 180° 180° Reversible 180° umsetzbar	Lubrificazione int. Coolant through Innenkuehlung Pmax [bar]	Lubr.esterna Ext. coolant Aussenkuehlung	Lav. secco Dry-run Trocken Bearb.	B	CHIAVI NON INCLUSE Keys not included Schlüssel nicht einbegriffen		
BGL1120316	ERA16	1:3	18000	10	X	-	X	X	70.5	CHUB30	CHUB19_SP3	CHTAER16ZC ■
BGL1120416	ERA16	1:3	18000	10	X	100 (diag. 2)	X	X	83	CHUB30	CHUB19_SP3	CHTAER16ZC ■

- Chiave inclusa
- Key included
- Schlüssel inbegriffen

BIGLIA
 MOD: B436/438 - BMX 45Y2
 MODULO MOTORIZZATO ASSIALE ARRETRATO MOLTIPLICATO I=1:3
 Axial geared-up I=1:3 rear-set driven tool
 Axial angetriebenes Werkzeug uebersetzt I=1:3 zurueckversetzt

M.T. srl
 Via Casino Albini 480
 Tel. 0541/956034-957884
 Fax 0541/956341
 47842 S. GIOVANNI IN M. (RN)
 e-mail: mtma@mtmarchetti.com
 http://www.mtmarchetti.com



BGL226-2-10

Subject to change without notice.