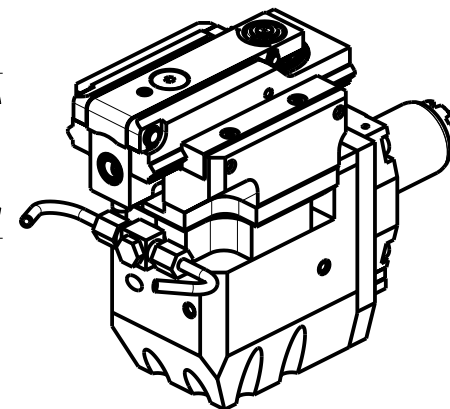
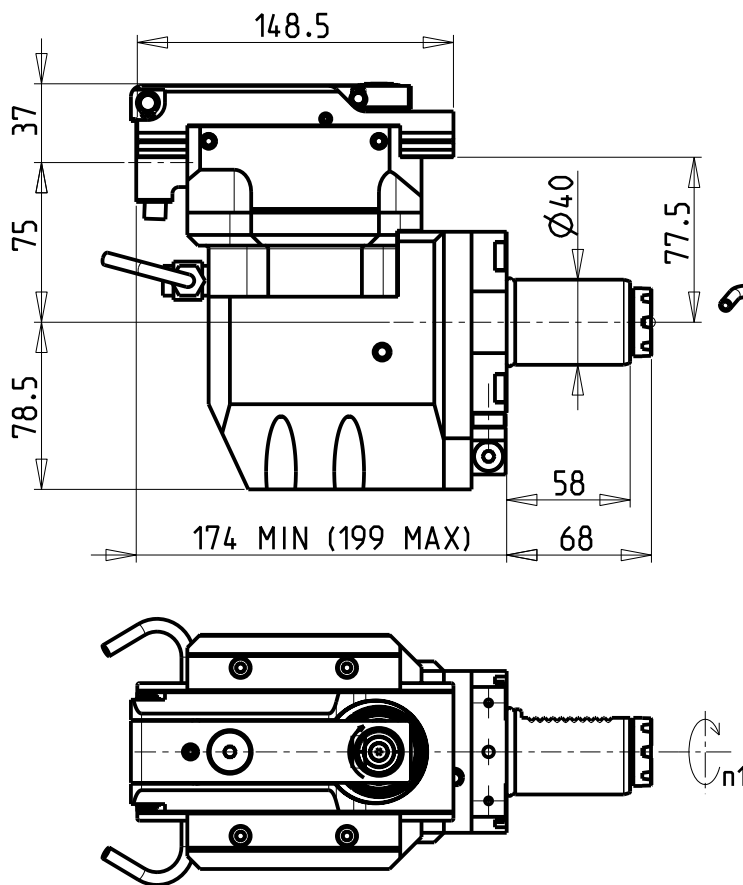
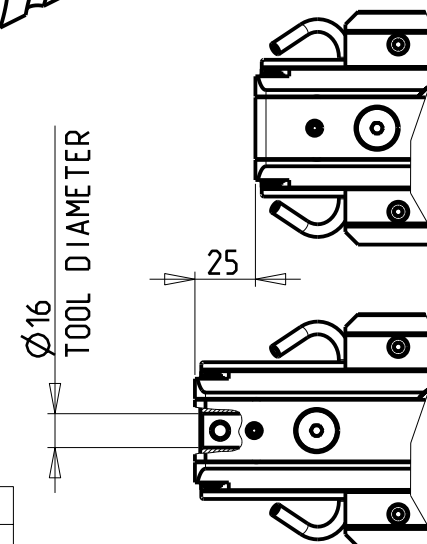
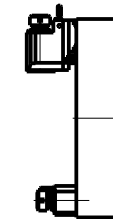


versione sx  
left version  
version links

versione dx  
right version  
version rechts



TORRETTE ASSIALI  
AXIAL TURRETS  
AXIAL REVOLVER



**DOTAZIONI - SUPPLIED WITH - AUSSTATTUNG**

N\*1 Boccola di riduz.  $\varnothing 16-\varnothing 12$  e N\*1 Boccola di riduz.  $\varnothing 16-\varnothing 10$   
 N\*1 Reduction bush  $\varnothing 16-\varnothing 12$  and N\*1 Reduction bush  $\varnothing 16-\varnothing 10$   
 N\*1 Reduzierbuchsen  $\varnothing 16-\varnothing 12$  und N\*1 Reduzierbuchsen  $\varnothing 16-\varnothing 10$

PER UTENSILI STOZZATORI VEDI PAG. TBL400-1-00  
 FOR DRIVEN SLOTTING TOOL CUTTING-TOOLS SEE PAGE TBL400-1-00  
 FÜR NUTENSTOSS-WERKZEUG SCHNEIDWERKZEUGE SIEHE SEITE TBL400-1-00

Cod. MT	I	RPM max n1	Lubr.esterna Ext. coolant Aussenkuehlung	Lav. secco Dry-run Trocken Bearb.	VDI
BAR0180200	4:1	2400	X	-	DESTRO - Right - Recht
BAR0181200	4:1	2400	X	-	SINISTRO - Left - Link

BARUFFALDI  
VDI 40

MODULO MOTORIZZATO STOZZATORE CORSA 25mm VDI40  
 Slotting driven tool 25mm stroke VDI40  
 Keilnutenstossmaschine 25mm Hub VDI40

**M.T. srl**  
 Via Casino Albini 480  
 Tel. 0541/956034-957884  
 Fax 0541/956341  
 47842 S. GIOVANNI IN M. (RN)  
 e-mail: mtma@mtmarchetti.com  
 http://www.mtmarchetti.com



BAR360-2-31

Subject to change without notice.

03/2026