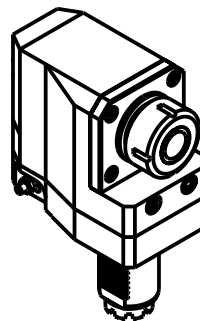
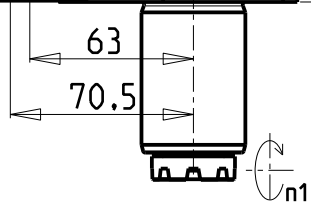
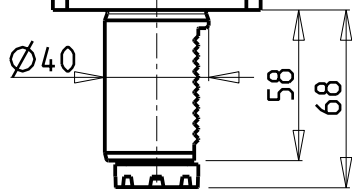
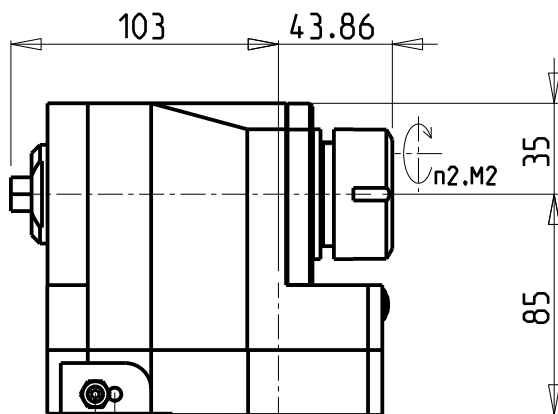
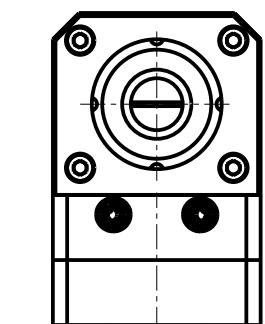
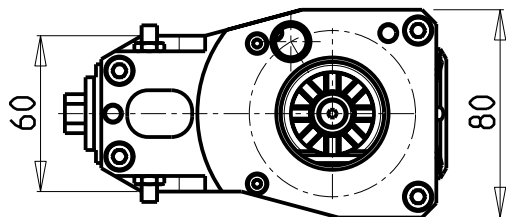
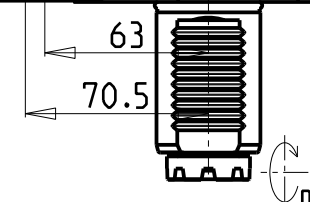
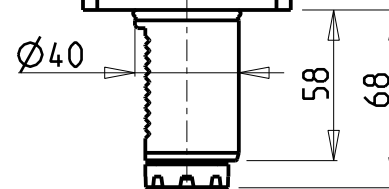
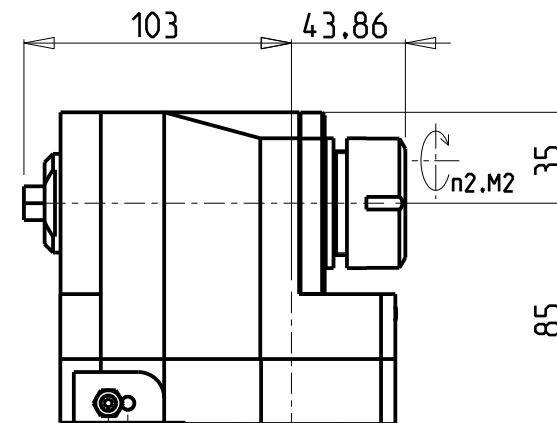
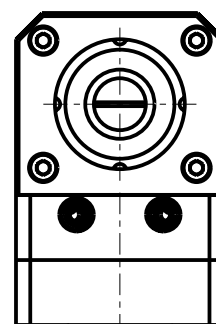
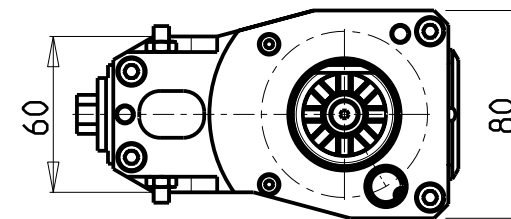


VDI DESTRO
VDI Right hand
VDI Recht



VDI SINISTRO
VDI Left hand
VDI Link



Cod. MT	Mandrino Spindle Spindel	I (n1:n2)	RPM max n2	Coppia Max Max Torque Max Drehmoment M2 (Nm)	Lubr.esterna Ext. coolant Aussenkuehlung	Lav. secco Dry-run Trocken Bearb.	CHIAVI NON INCLUSE Keys not included Schluessel nicht einbegriffen		VDI
161BAR_R32_40C00	ER32	1:1	4000	70	X	X	CHSTER32	CHUB13	DESTRO - Right - Recht
161BAR_R32_40C20	ER32	1:1	4000	70	X	X	CHSTER32	CHUB13	SINISTRO - Left - Link

BARUFFALDI

VDI 40

MODULO MOTORIZZATO RADIALE ARRETRATO VDI40 H=85mm

Radial rear-set driven tool VDI40 H=85mm

Radial angetriebenes Werkzeug zurueckversetzt VDI40 H=85mm

Subject to change without notice.

M.T. srl

Via Casino Albini 480

Tel. 0541/956034-957884

Fax 0541/956341

47842 S. GIOVANNI IN M. (RN)

e-mail: mtma@mtmarchetti.com

http://www.mtmarchetti.com



BAR013-2-00

09/2025