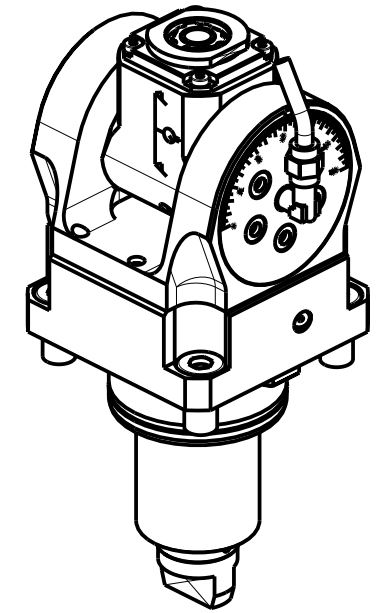


**ATTENZIONE - ATTENTION - ACHTUNG**

- Per lo smontaggio degli utensili utilizzare sempre la chiave di contrasto come indicato nel manuale d'uso.
- For disassembly of the tools use always the contrast key as mentioned in the user instructions.
- Fuer das Abmontieren der Werkzeuge immer den Gegenschluessel benutzen wie in der Bedienungsanleitung erwaehnt.



| Cod. MT    | Mandrino Spindle Spindel | I   | RPM   | Coppia Max Max Torque Max Drehmoment | Reversibile lato mandrino/contromandrino Reversible sub/main spindle side Umkehrbare Spindel-seite/ Gegenspindel-seite | Lubrificazione int. Coolant through Innenkuehlung | Lubrificazione est. Ext. coolant Aussenkuehlung | CHIAVI INCLUDE Keys included Schluessel inbegriffen |        |            |         |
|------------|--------------------------|-----|-------|--------------------------------------|--|---|---|---|--------|------------|---------|
|            |                          |     |       |                                      | X  | -   | X   | CHUB19_SP3  | CHUB32 | CHTAER16ZC | CHESL08 |
| DW01940316 | ERA16                    | 1:2 | 12000 | 8Nm                                  | X  | -   | X   | CHUB19_SP3  | CHUB32 | CHTAER16ZC | CHESL08 |
| DW01940416 | ERA16                    | 1:2 | 12000 | 8Nm                                  | X  | P=70bar   | X   | CHUB19_SP3  | CHUB32 | CHTAER16ZC | CHESL08 |

**TAKISAWA**

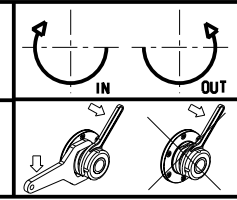
MOD: NX-2500 12ST./15ST. (BMT65)

MODULO MOTORIZZATO ORIENTABILE ±90° MOLTIPLICATO I=1:2 H=72mm

±90° adjustable angle driven tool geared-up I=1:2 H=72mm

Angetriebenes Werkzeug schwenkbar ±90° uebersetzt I=1:2 H=72mm

Subject to change without notice.



**M.T. srl**  
 Via Casino Albini 480  
 Tel. 0541/956034-957884  
 Fax 0541/956341  
 47842 S. GIOVANNI IN M. (RN)  
 e-mail: mtma@mtmarchetti.com  
 http://www.mtmarchetti.com



TKW 336-10-00