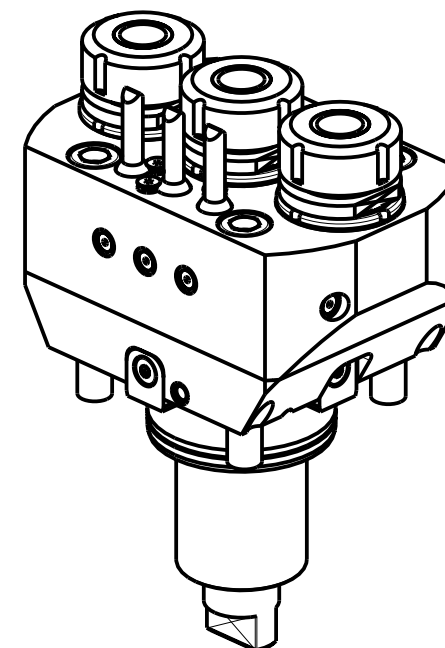
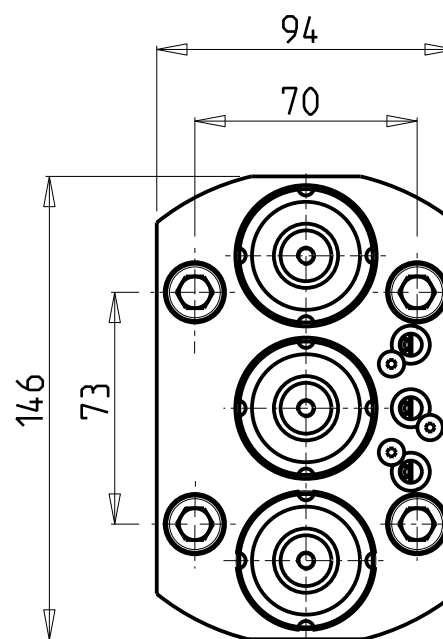
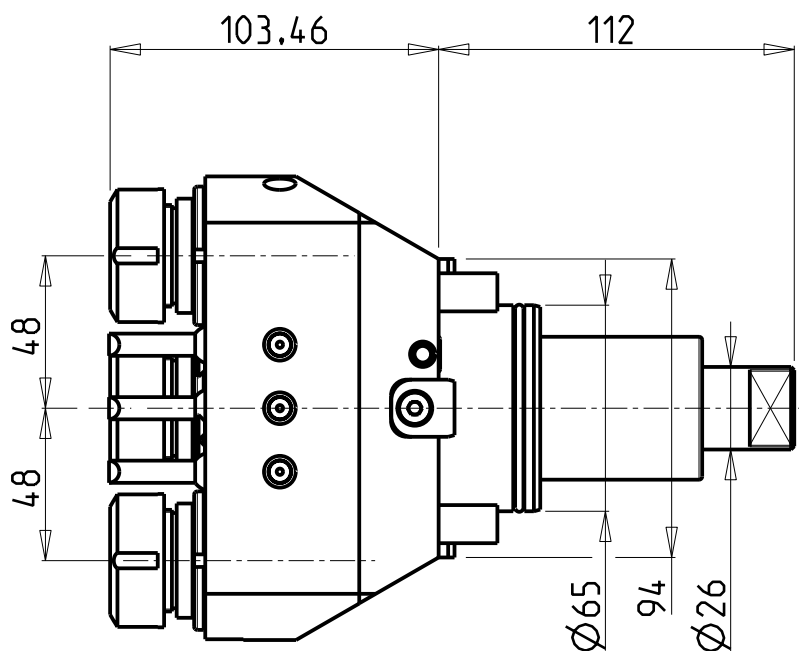


ATTENZIONE - ATTENTION - ACHTUNG

- Per lo smontaggio degli utensili utilizzare sempre la chiave di contrasto come indicato nel manuale d'uso.
- For disassembly of the tools use always the contrast key as mentioned in the user instructions.
- Fuer das Abmontieren der Werkzeuge immer den Gegenschlüssel benutzen wie in der Bedienungsanleitung erwaeht.



| Cod. MT | Mandrino Spindle Spindel | I | RPM | Coppia Max Max Torque Max Drehmoment | Lubrificazione est. Ext. coolant Aussenkuehlung | CHIAVI INCLUSE Keys included Schlüssel inbegriffen | |
|-------------|--------------------------------|-----|------|--|---|--|------------|
| DW 01350325 | ER25 | 1:1 | 6000 | 30Nm | X | MNL0210007 | MNL0210008 |

SMART

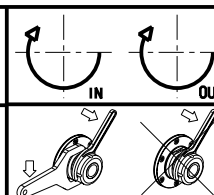
MOD: NL2500/3000 Y/SY

MODULO MOTORIZZATO RADIALE 3 USCITE IN Y

Radial single side 3 outlet driven tool in Y

Radial angetriebenes Werkzeug 3 Ausgaenge in Y

Subject to change without notice.



M.T. srl

Via Casino Albini 480
Tel. 0541/956034-957884
Fax 0541/956341
47842 S. GIOVANNI IN M. (RN)
e-mail: mtma@mtmarchetti.com
http://www.mtmarchetti.com



SMA095-2-00