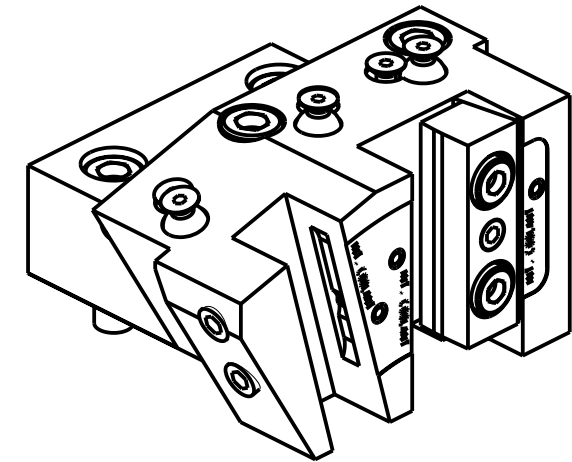


ATTENZIONE - ATTENTION - ACHTUNG

- Solo per contromandrino
- Only for subspindle
- Nur für Gegenspindel



Cod. MT	N°Utensili N°Tools N°Werkzeuge	Lubrificazione int. Coolant through Innenkuehlung	Lubrificazione est. Ext. coolant Aussenkuehlung	Misure Dimensions Masse	B	H	
NKM2312010	2	P=70bar	X	mm	20	20	NEW

**NAKAMURA-TOME**

MOD: WY 250 - NTY3 250 (torretta superiore SW=374 / upper turret SW=374 / oberen Revolver SW=374)

PORTAUTENSILE RADIALE MULTIPLO QD=20mm

Radial multiple static tool QD=20mm

Radial Mehrfach-Halter QD=20mm

Subject to change without notice.

**M.T. srl**  
 Via Casino Albini 480  
 Tel. 0541/956034-957884  
 Fax 0541/956341  
 47842 S. GIOVANNI IN M. (RN)  
 e-mail: mtma@mtmarchetti.com  
 http://www.mtmarchetti.com



NKM440-2-56