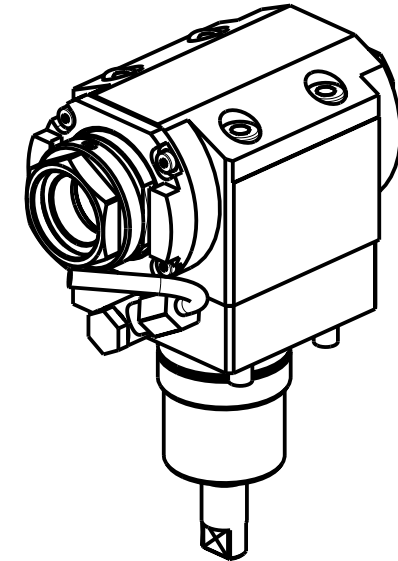
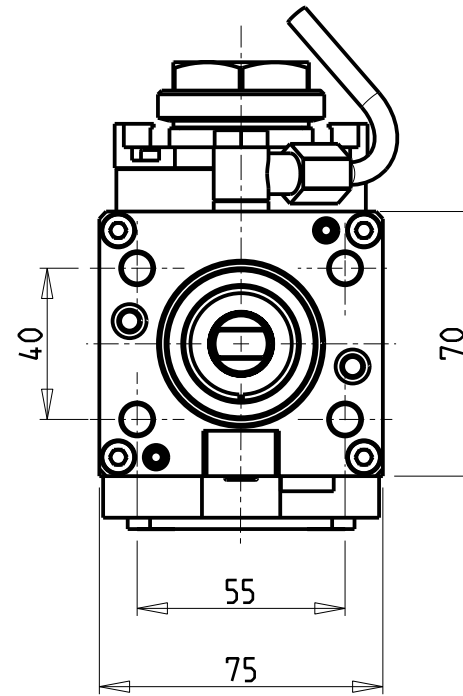
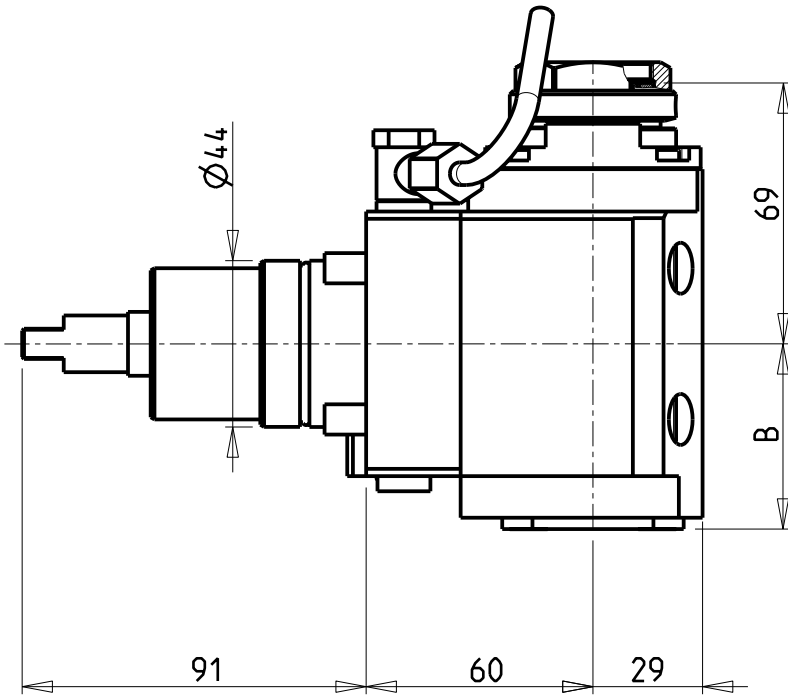


ATTENZIONE - ATTENTION - ACHTUNG

- NTJ100: solo per torretta superiore
- NTJ100: only on the upper turret
- NTJ100: nur auf dem oberen revolver



- Chiave inclusa
- Key included
- Schlüssel inbegriffen

NEW  
NEW

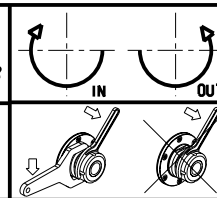
PER PORTAUTENSILI MODULARI MTSK-32 VEDI PAG. TBL300-1-32  
 FOR MTSK-32 QUIK CHANGE TOOLHOLDERS CLAMPINGS SEE PAGE TBL300-1-32  
 FUER MTSK-32 MODULARE WERKZEUGAUFNAHMEN SIEHE SEITE TBL300-1-32

Cod. MT	Mandrino Spindle Spindel	I	RPM	Coppia Max Max Torque Max Drehmoment	Reversibile lato mandrino/contromandrino Reversible sub/main spindle side Umkehrbare Spindel-seite/ Gegenspindel-seite	Lubr.interna Coolant through Innenkuehlung	Lubrificazione est. Ext. coolant Aussenkuehlung	B	CHIAVI NON INCLUSE Keys not included Schlüssel nicht einbegriffen	
NKM2360132	MTSK-32	1:1	12000	35Nm	X	-	X	49	CHUB36	OKU0290009 ▪
NKM2360232	MTSK-32	1:1	12000	35Nm	X	P=70bar	X	59	CHUB36	OKU0290009 ▪

NAKAMURA-TOME

MOD: WT100 - WY100 - WY100II 12ST. - WY100V 12ST. - SUPER NTY3 - NTY3-100 12ST. - NTJ100 - SC100 - SC100X<sup>2</sup>

MODULO MOTORIZZATO ASSIALE MTSK 12000 RPM H=60mm  
 Axial MTSK driven tool 12000 rpm H=60mm  
 Axial MTSK angetriebenes Werkzeug 12000 rpm H=60mm



**M.T. srl**  
 Via Casino Albini 480  
 Tel. 0541/956034-957884  
 Fax 0541/956341  
 47842 S. GIOVANNI IN M. (RN)  
 e-mail: mtma@mtmarchetti.com  
 http://www.mtmarchetti.com



Subject to change without notice.

09/2024